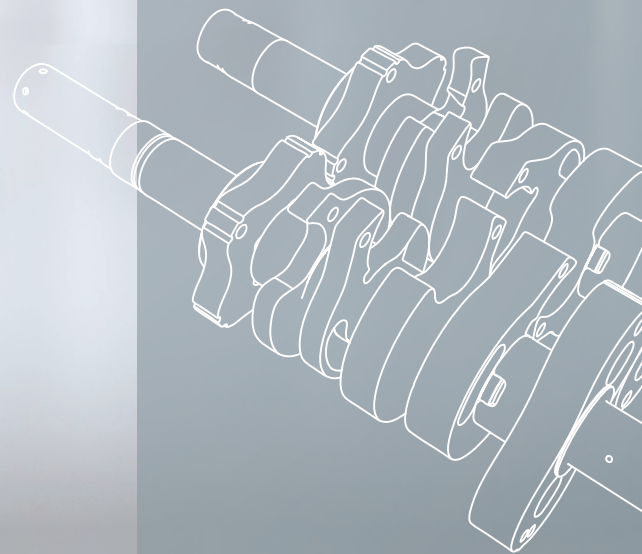


# nXRi HIGH PERFORMANCE COMPACT DRY VACUUM PUMP

 **EDWARDS**







## EDWARDS THE PARTNER OF CHOICE

**Edwards is a world leader in the design, technology and manufacture of vacuum pumps with over 100 years of history and more than 80 years of manufacturing experience.**

We believe in delivering results that bring value to our customers by using our breadth of industry experience to identify and apply solutions to your problems. Using the most innovative and up-to-date modeling techniques, we can optimise the pumping configuration for customers to provide a system design giving the maximum performance in the most reliable and cost-effective way.

# nXRi HIGH PERFORMANCE COMPACT DRY VACUUM PUMP

## When performance matters

Edwards has revolutionised the vacuum pump market with the new nXRi high performance, compact dry pump. It delivers unrivalled pumping speeds in the most compact package, with pumping speeds of 30 to 120 m<sup>3</sup>h<sup>-1</sup>. The nXRi's lower input power and zero maintenance create real performance improvements and cost benefits across a range of applications.

Analytical Instrument OEMs benefit from the ease of integration into most vacuum systems for a ready to go vacuum solution, perfect for mass spectrometry, electron microscopy and leak detection.

R&D and Industrial customers will enjoy the design flexibility, oil-free and low maintenance features.

- **Energy efficiency. Reduce your costs!**
- **Unrivalled performance. When you need it!**
- **Zero contamination. Experience the difference!**
- **Compact footprint. Optimise your space!**

## APPLICATIONS

### Analytical instruments

- Electron microscopy
- Mass spectrometry
- RGA

### Scientific research and development

- UHV
- High energy physics
- General use

### Industrial

- Drying
- Plasma cleaning
- Cryo regeneration





## COMPACT FOOTPRINT

### Optimise your space!

Designed with size in mind, the compact footprint and height allow the nXRi dry pump to fit easily under a benchtop saving valuable space in your laboratory; and at under 30 kg offers a highly portable vacuum pump for changing work flows and environments.



## UNRIVALLED PERFORMANCE

### When you need it!

When performance matters look no further than the nXRi dry pump, with pumping speed performance of 30 to 120 m<sup>3</sup>h<sup>-1</sup> from our most compact footprint. It delivers six times more pumping speed than similar sized dry pumps, and with low ultimate and high reliability you are assured a consistent and stable vacuum for years to come.



## ZERO CONTAMINATION

### Experience the difference!

Clean processes and clean results are guaranteed with the nXRi compact dry pump, fully oil-free, and dust-free within the vacuum chamber. Being free of oil and smells guarantees a more pleasant working environment.

## CONTROL WITH EASE

Equipped with a single-phase pump controller covering a wide voltage range of 100-127V/200-240V, the pump achieves consistent performance anywhere in the world. The pump can be controlled easily with the convenient dashboard or remotely via parallel or serial control. The integrated USB port allows monitoring with our free nST2 software. The additional accessory port allows automatic control of valves as our VIV Vacuum Isolation Valve for full power loss protection.



# TECHNICAL SPECIFICATION

## Peak pumping speed

nXR30i	30 m <sup>3</sup> h <sup>-1</sup>
nXR40i	40 m <sup>3</sup> h <sup>-1</sup>
nXR60i	60 m <sup>3</sup> h <sup>-1</sup>
nXR90i	90 m <sup>3</sup> h <sup>-1</sup>
nXR120i	120 m <sup>3</sup> h <sup>-1</sup>

**Ultimate vacuum (total pressure)** 0.03 mbar (0.022 Torr)

## Inlet flange

nXR30/40i	NW25
nXR60/90/120i	NW40

## Outlet flange

All variants	NW25
--------------	------

## Maximum permitted outlet pressure

nXR30/40/60/90/120i	0.2 bar gauge
---------------------	---------------

## Maximum continuous inlet pressure

nXR30-90i	1013 mbar
nXR120i	20 mbar

**Operating temperature range** +5 to +40°C (+41 to +104°F)

**Nominal rotational speed** 15000 rpm

**Voltage input** 100-127/200-240 V (+/-10%), switchable

**Mains frequency** 50/60 Hz

**Power connector 1-ph** IEC EN60320 C19

**Power at ultimate** 450 W

**Leak tightness** < 1x10<sup>-6</sup> mbar ls<sup>-1</sup>

## Weight

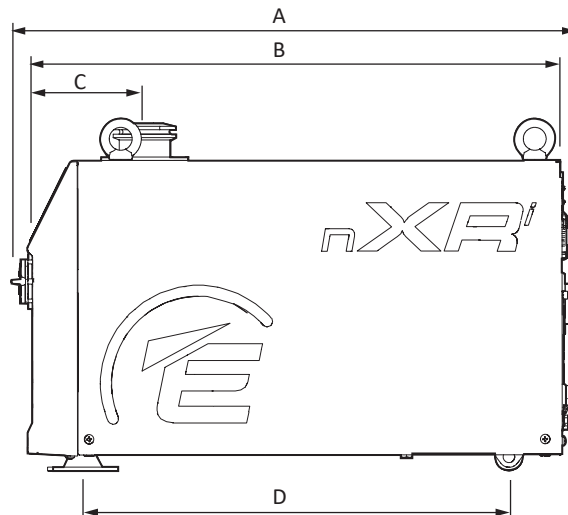
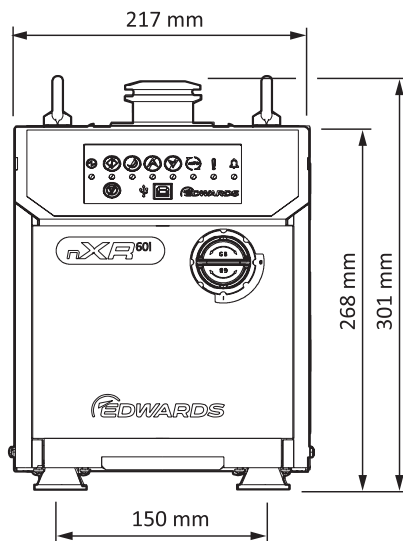
nXR30/40i	27 kg (60 lbs)
nXR60/90/120i	29 kg (64 lbs)

**Noise at ultimate vacuum** 55 dB(A)

**Vibration at inlet flange** < 2.0 mm/s

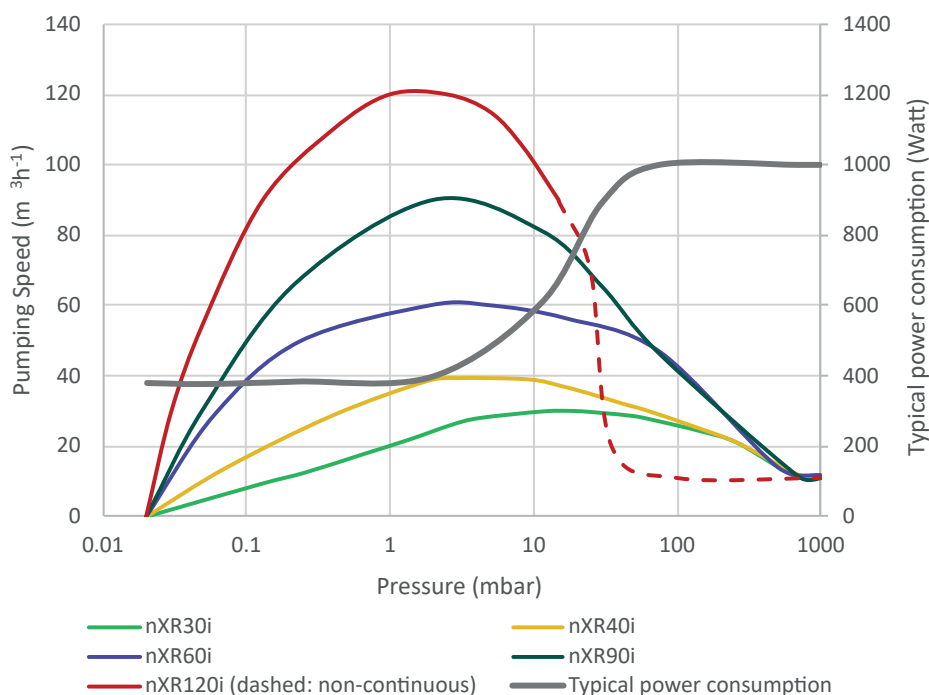


# DIMENSIONS



	nXR30/40i	nXR60/90/120i
<b>A</b>	478 mm	494 mm
<b>B</b>	443 mm	461 mm
<b>C</b>	103 mm	107 mm
<b>D</b>	339 mm	370 mm

## PUMPING PERFORMANCE



## ORDERING INFORMATION

### Product description

### Order number

nXR30i NW25 Multi Stage Roots Dry Pump 100-127/200-240V 50/60 Hz	A90301983
nXR40i NW25 Multi Stage Roots Dry Pump 100-127/200-240V 50/60 Hz	A90401983
nXR60i NW40 Multi Stage Roots Dry Pump 100-127/200-240 V, 50/60 Hz	A90502983
nXR90i NW40 Multi Stage Roots Dry Pump 100-127/200-240 V, 50/60 Hz	A90602983
nXR120i NW40 Multi Stage Roots Dry Pump 100-127/200-240V 50/60 Hz	A90702983

## ACCESSORIES

### Product description

### Order number

2m electrical supply cable, NEMA 5-15P, North America/Japan (100-120 V)	A50507003
2m electrical supply cable, NEMA 6-15P, North America (200-240 V)	A50507006
2m electrical supply cable, UK, three pin plug	A50505003
2m electrical supply cable, Europe	A50506003
2m electrical supply cable, China	A50509003
Gas ballast blank plug	A73501806
Gas ballast adaptor for inert gas (1/4" quick connect)	A73501811
Floor/cart mounting kit	A90590000



## GLOBAL CONTACTS

Publication Number: 3601 0591 01  
 © Edwards Limited 2021. All rights reserved  
 Edwards and the Edwards logo are trademarks of  
 Edwards Limited

Whilst we make every effort to ensure that we  
 accurately describe our products and services,  
 we give no guarantee as to the accuracy or  
 completeness of any information provided in  
 this brochure.

Edwards Ltd, registered in England and Wales  
 No. 6124750, registered office: Innovation Drive,  
 Burgess Hill, West Sussex, RH15 9TW, UK.

### EMEA

<b>UK</b>	+44 1444 253 000 (local rate) 08459 212223
<b>Belgium</b>	+44 1293 60 3350
<b>France</b>	+33 1 4121 1256
<b>Germany</b>	0800 000 1456
<b>Italy</b>	+ 39 02 48 4471
<b>Israel</b>	+ 972 8 681 0633
<b>Russia</b>	+7 495 933 55 50 Ext. 1800/1803 +8 800 775 80 99

### ASIA PACIFIC

<b>China</b>	+86 400 111 9618
<b>India</b>	+91 20 4075 2222
<b>Japan</b>	+81 47 458 8836
<b>Korea</b>	+82 31 716 7070
<b>Singapore</b>	+65 6546 8408
<b>Taiwan</b>	+886 3758 1000

### AMERICAS

<b>USA</b>	+1 800 848 9800
<b>Brazil</b>	+55 11 3952 5000